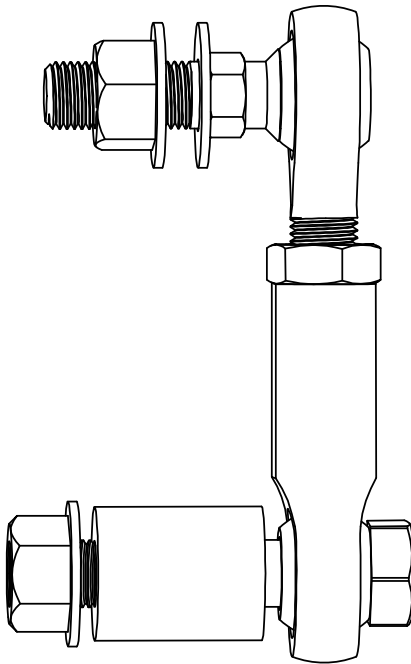




Sway Bar Links for Mazda MX-5 Miata (NA/NB), Short, Front

Part No. SMA-118



**Important: Read these instructions
in their entirety prior to installation.**

For contact information, visit www.improvedracing.com
Copyright © 2008-2016 Improved Racing Products, LLC. All rights reserved.

Applications

This product is designed for the following vehicles:

- 1990-2005 Mazda MX-5 Miata with lowered suspension

Assembly

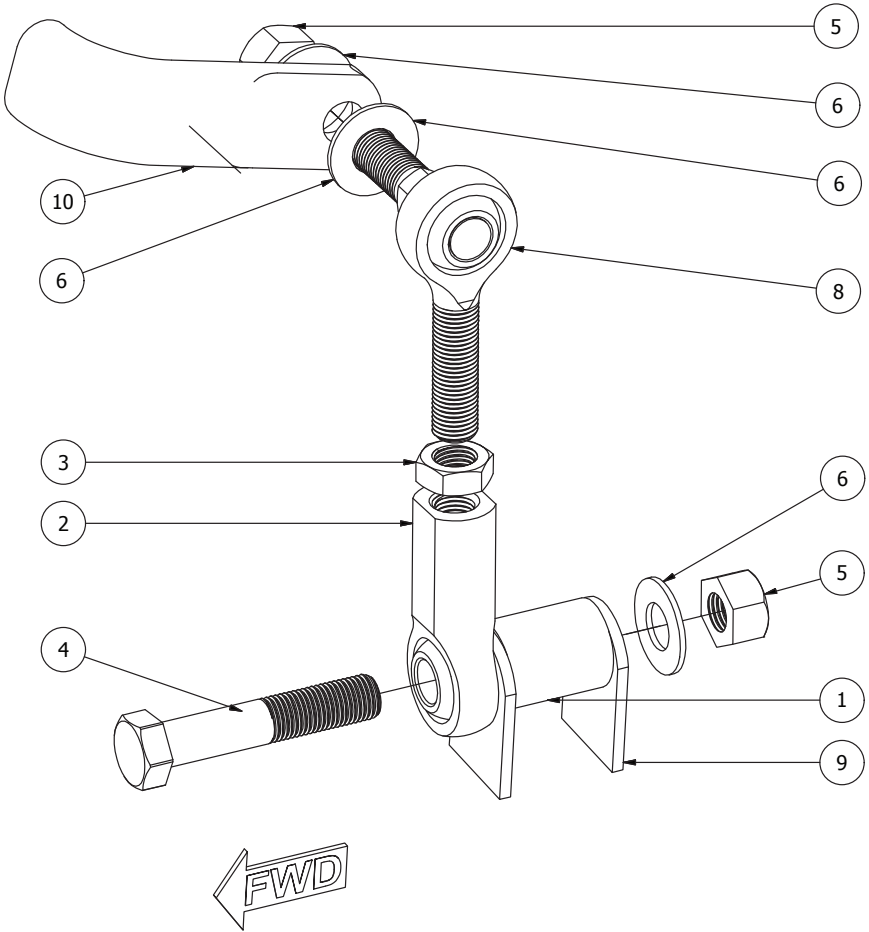



Figure 1 - Front left sway bar link assembly

SMA-118 - PARTS LIST, PER SIDE			
ITEM	QTY	PART NUMBER	DESCRIPTION
1	1	HSP-1003	Spacer, 5/16"
2	1	HRE-1013	Rod End, Female
3	1	HNT-1013	Jam Nut
4	1	HSC-1006	Screw, 2"
5	2	HNT-1006	Nut
6	3	HWA-1001	Washer
8	1	HRE-1015	Rod End, Male
9			Lower Control Arm Sway Link Bracket
10			Sway Bar

Installation Instructions

1. Lift the front of the vehicle with a lift or ramps to allow easy access to the sway bar end links. It is best if the vehicle is resting on all four wheels during installation to ensure there is no preload on the sway bar after installation.
2. Remove the existing sway bar end links from the vehicle.
3. Assemble and install the sway bar end link as shown in Figure 1. Connect the link to the lower control arm sway bar link bracket first, then adjust the link to the desired length before connecting it to the sway bar.
4. Tighten the jam nuts on the link, taking care to maintain the upper and lower rod ends at 90-degree angles to each other.
5. Torque down both mounting nuts to 27-40 lbs-ft.
 **Warning:** This torque specification is for the sway bar end links only!
6. Repeat this process on the opposite side of the vehicle, once again connecting the link to the lower control arm sway bar link bracket first, but this time adjust the length of the upper link so that it lines up with the mounting hole on the sway bar. This ensures there is no preload on the sway bar.
7. Congratulations, installation is complete!