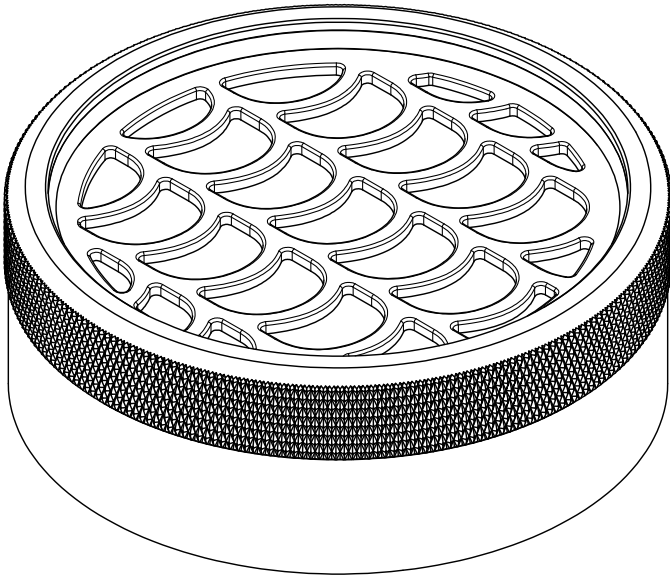




**VENT TO ATMOSPHERE FILTER FOR  
CCS CATCH CANS**

**PART NO. CCS-40**

MADE IN USA



**Important: Read these instructions in their  
entirety prior to installation.**

For contact information, visit [www.improvedracing.com](http://www.improvedracing.com)  
Copyright © 2008-2023 Improved Racing Products, LLC. All rights reserved.

## APPLICATIONS

- CCS oil catch cans venting to atmosphere.
- Breather systems with -6 SAE O-ring boss (ORB) ports.

## PARTS LIST

Item	Qty	Part Number	Description
1	1	CCS-40	Vent to Atmosphere Filter

## DIMENSIONS

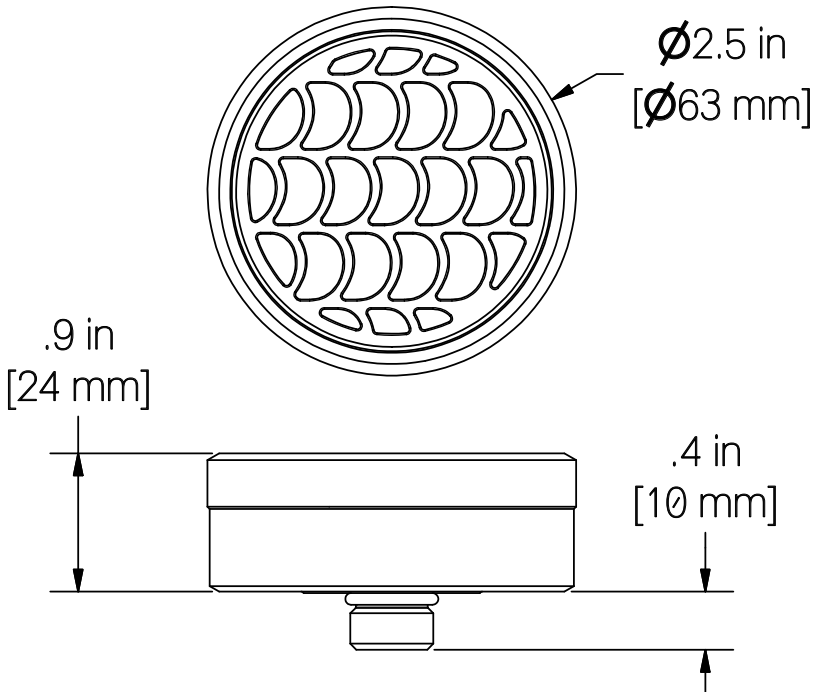


Figure 1 - General Dimensions of CCS-40

# SCHEMATIC

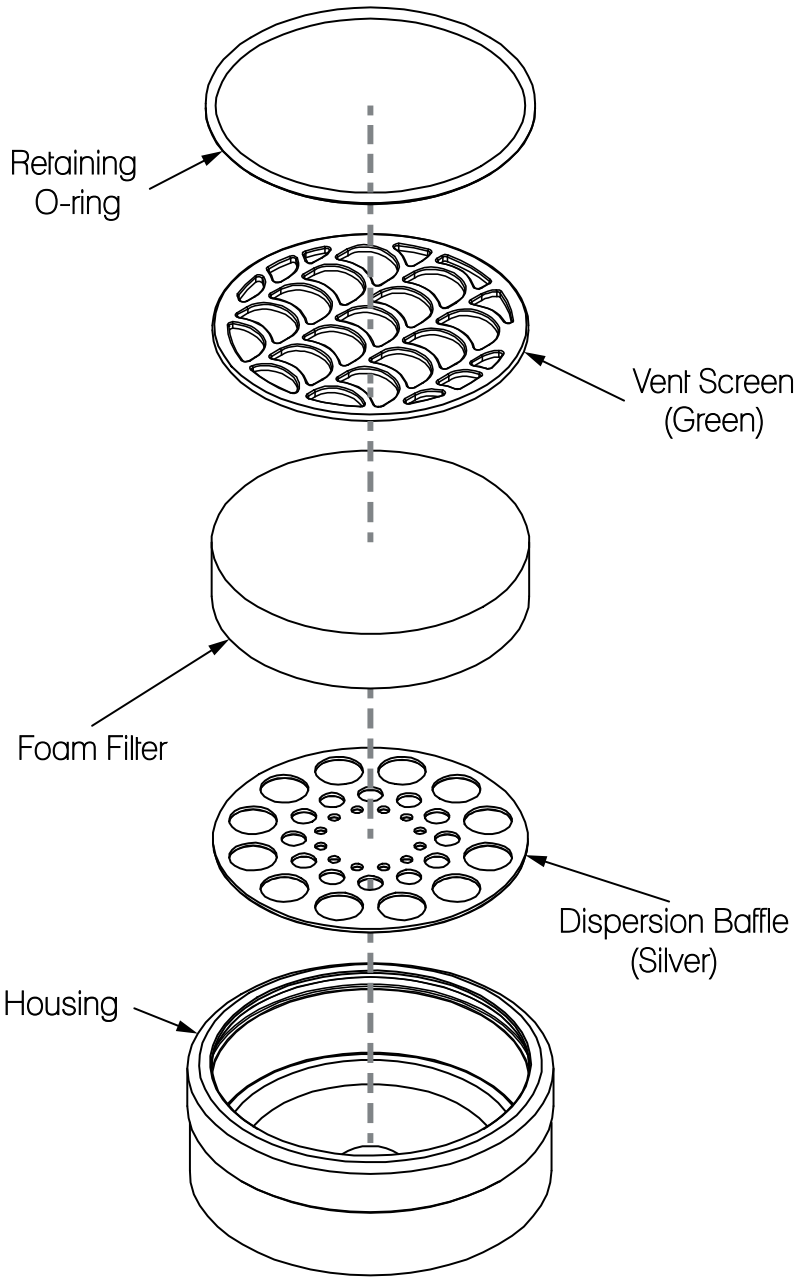





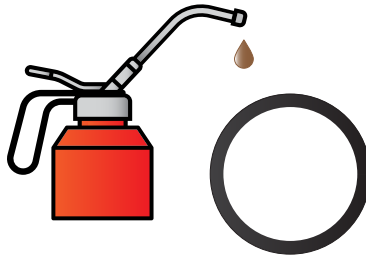




Figure 2 - CCS-40 Schematic

## BEFORE YOU BEGIN

-  **WARNING:** This product should only be installed by a qualified mechanic. Improper installation could result in severe engine damage.
-  Create a maintenance schedule for the filter.
-  Filters can be cleaned with a mild detergent or your preferred brand of foam air filter cleaner.
-  Purchase replacement filters on [www.ImprovedRacing.com](http://www.ImprovedRacing.com).
-  Lubricate the -6 ORB O-ring prior to installation to prevent damage and ensure a leak-free seal.



## INSTALLATION INSTRUCTIONS

1. Screw the breather filter into the OUT port of CCS.
  2. Firmly tighten the part by hand, or use Loctite 243 blue thread locker.
-  **Caution:** The O-ring must insert completely into the gland regardless of which tightening method is chosen.
-  Installation is now complete. Thank you for purchasing an Improved Racing product!

## DISASSEMBLY & CLEANING

1. Refer to the included schematic.
2. Lightly depress the green vent screen.
3. Remove the retaining O-ring.
4. Disassemble the breather.
5. Clean or replace the filter.
6. Reassemble the breather filter.