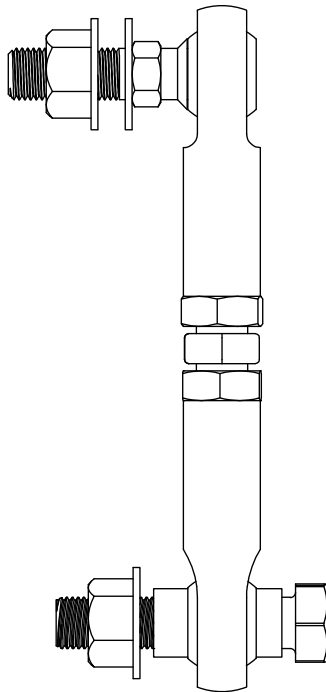




Sway Bar Links for Mazda MX-5 Miata (NA/NB), Rear

Part No. SMA-117



**Important: Read these instructions
in their entirety prior to installation.**

For contact information, visit www.improvedracing.com
Copyright © 2008-2016 Improved Racing Products, LLC. All rights reserved.

Applications

This product is designed for the following vehicles:

- 1990-2005 Mazda MX-5 Miata

Assembly

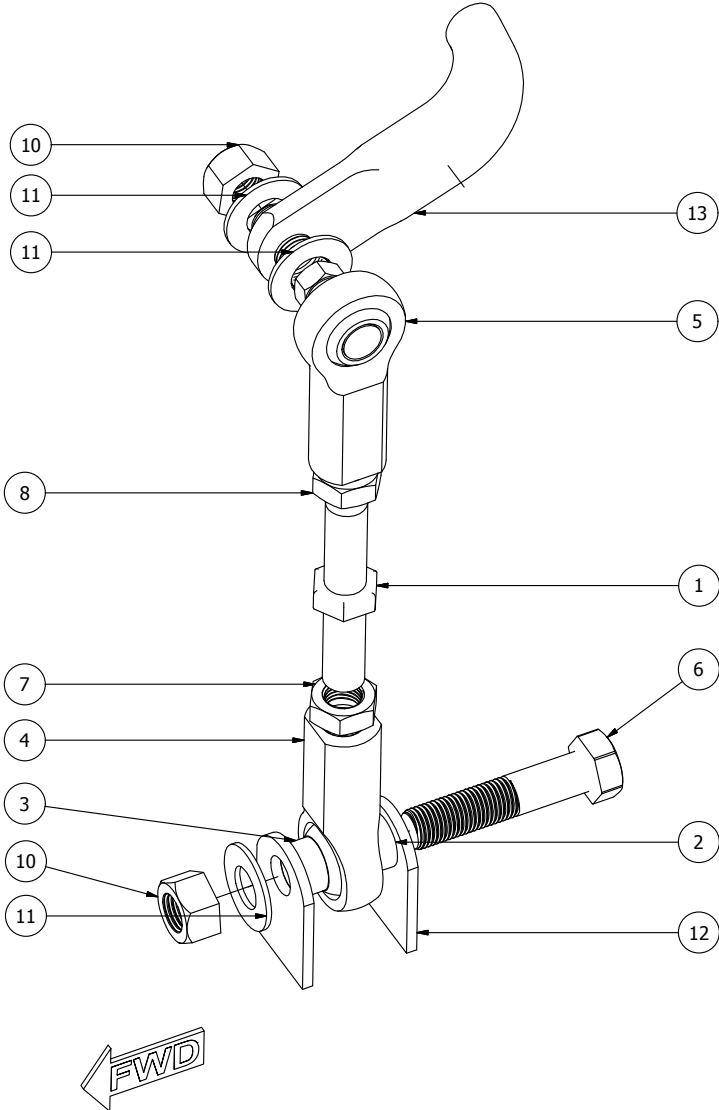



Figure 1 - Rear left sway bar link assembly

SMA-117 - PARTS LIST, PER SIDE			
ITEM	QTY	PART NUMBER	DESCRIPTION
1	1	HSC-1000	Jack Screw
2	1	HSP-1001	Spacer, 3/16"
3	1	HSP-1002	Spacer, 1/4"
4	1	HRE-1013	Rod End, RH
5	1	HRE-1014	Rod End, LH
6	1	HSC-1012	Screw, 1-3/4"
7	1	HNT-1013	Jam Nut, RH
8	1	HNT-1005	Jam Nut, LH
10	2	HNT-1006	Nut
11	3	HWA-1001	Washer
12			Lower Control Arm Sway Link Mounting Bracket
13			Sway Bar

Installation Instructions

1. Raise the front of the vehicle with a lift or ramps to allow easy access to the sway bar end links. It is best if the vehicle is resting on all four wheels during installation to ensure there is no preload on the sway bar after installation.
2. Remove the existing sway bar end link from one side of the vehicle.
3. Assemble and install the sway bar end link as shown in Figure 1. Connect the link to the sway bar first, then adjust the length of the link by turning the center of the jack screw with a wrench until the lower rod end is aligned with the mounting holes in the bracket. This ensures there is no preload on the sway bar.
4. Tighten the jam nuts on the link, taking care to maintain the upper and lower rod ends at 90-degree angles to each other.
5. Torque down both mounting nuts to 27-40 lbs-ft.
 **Warning:** This torque specification is for the sway bar end links only!
6. Repeat this process on the opposite side of the vehicle.
7. Congratulations, installation is complete!