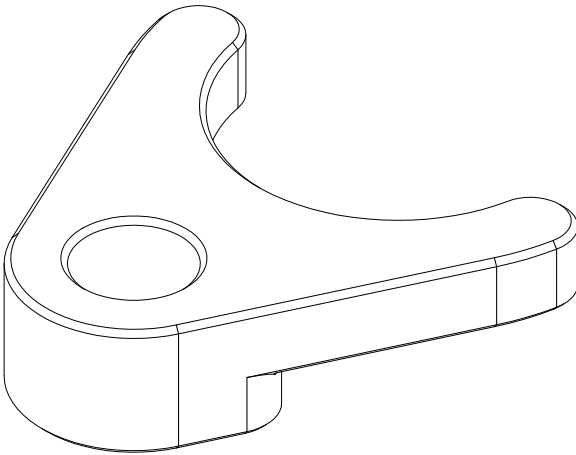




## LS Engine Oil Pump Pickup Tube Brace / Girdle

**Part No. EGM-500**

Made in USA



**Important: Read these instructions  
in their entirety prior to installation.**

For contact information, visit [www.improvedracing.com](http://www.improvedracing.com)  
Copyright © 2008-2016 Improved Racing Products, LLC. All rights reserved.

## Applications

- GM Gen III & IV LS family engines, wet-sump only
- Note: This product is not compatible with some aftermarket oil pump pickup tubes such as Holley.

## Installation Instructions

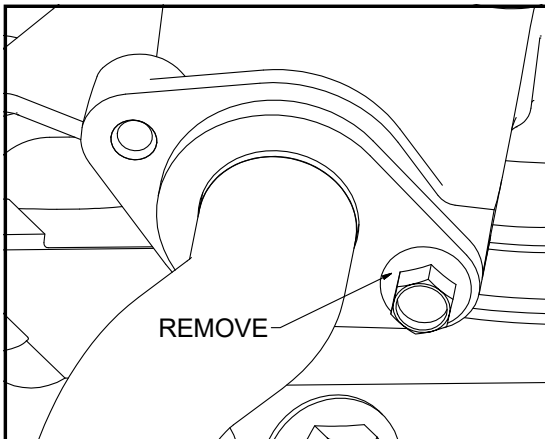
**⚠ Warning:** This product should only be installed by a qualified mechanic. Improper installation could result in severe engine damage.

1. Drain the engine oil and remove the oil filter.
2. Refer to the instructions in the vehicle's factory service manual to remove the oil pan.

**💡 Tip:** *Inspect the oil pan gasket for signs of wear and damage; install a new gasket if necessary. Clean the inside the oil pan if needed.*

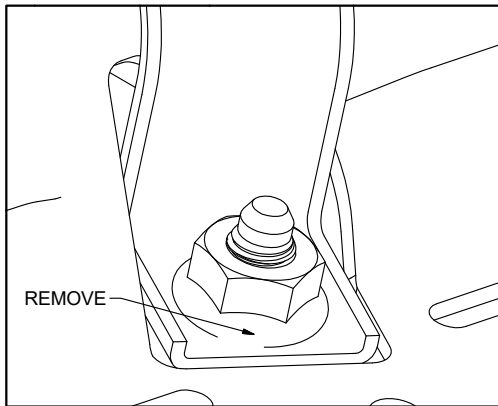
3. Remove the M6 flange screw from the engine oil pump using a 10 mm wrench (Figure 1) and set aside.

*Note: Screw may be located on opposite side in some applications.*

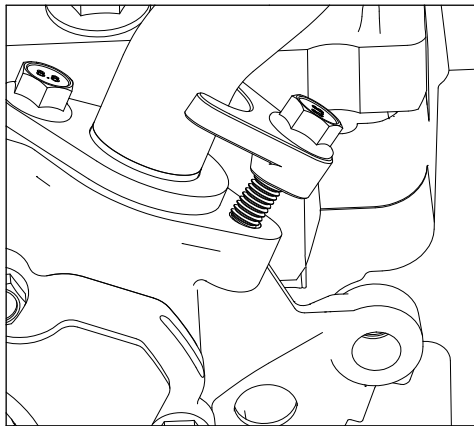


**Figure 1 - Pickup Tube Screw**

4. **1997-2013 wet-sump Chevrolet Corvettes:** Remove the oil pickup tube support bracket nut (Figure 2).
5. *Optional:* Replace the oil pickup tube O-ring with a new O-ring. This step requires removal of the pickup tube.
6. Position the Improved Racing Oil Pickup Tube Brace on the pickup tube (Figure 3).



**Figure 2 - Support Bracket Nut**



**Figure 3 - Install Pickup Tube Brace**

7. Insert the provided M6 flange screws. Torque the pickup tube flange first, then torque the brace screw. Torque both screws to approximately 8.83 lb-ft (106 lb-in) with a 10mm wrench.
8. If the pickup tube was removed, reinstall the pickup tube support bracket nut (Figure 2) and torque to 18 lb-ft.
9. Follow the instructions in the vehicle's factory service manual to reinstall the oil pan.

*Congratulations!* You have successfully installed your LS engine oil pickup tube brace.