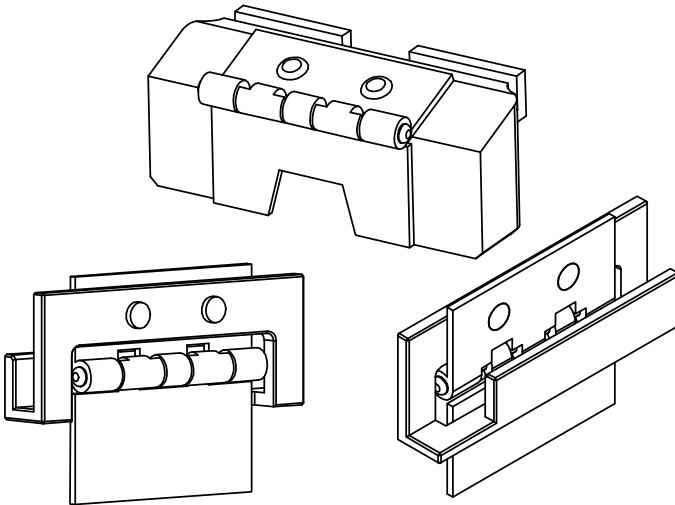




**Racing Oil Pan Trap-Door Inserts  
for 1997-2004 Chevrolet Corvette  
(C5)**

**Part No. EGM-202**

Made in USA



**Important: Read these instructions  
in their entirety prior to installation.**

For contact information, visit [www.improvedracing.com](http://www.improvedracing.com)  
Copyright © 2008-2017 Improved Racing Products, LLC. All rights reserved.

## Applications

This product is designed for direct installation into the factory oil pans of the following vehicles:

- 1997-2004 Chevrolet Corvette (C5) with factory *batwing* oil pan
- Vehicles equipped with GM *batwing* oil pan, GM part # 12561828

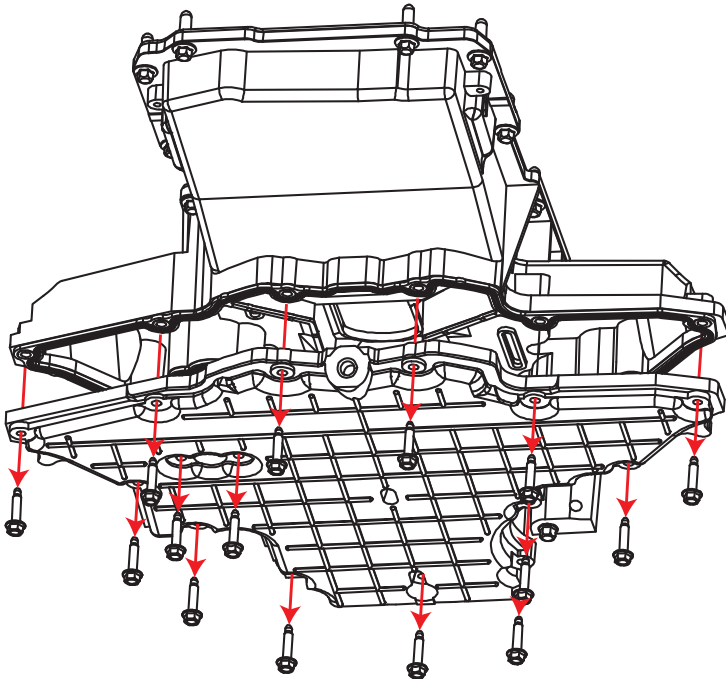
## Installation Instructions

**⚠ Warning:** This product should only be installed by a qualified mechanic. Improper installation could result in severe engine damage.

1. Wash the oil pan trap-door inserts with a degreaser or ordinary dish soap to remove any contaminants that may damage the engine. Rinse and dry with compressed air or a lint-free towel.


**⚠ Warning:** Failure to properly clean the inserts can lead to engine damage.

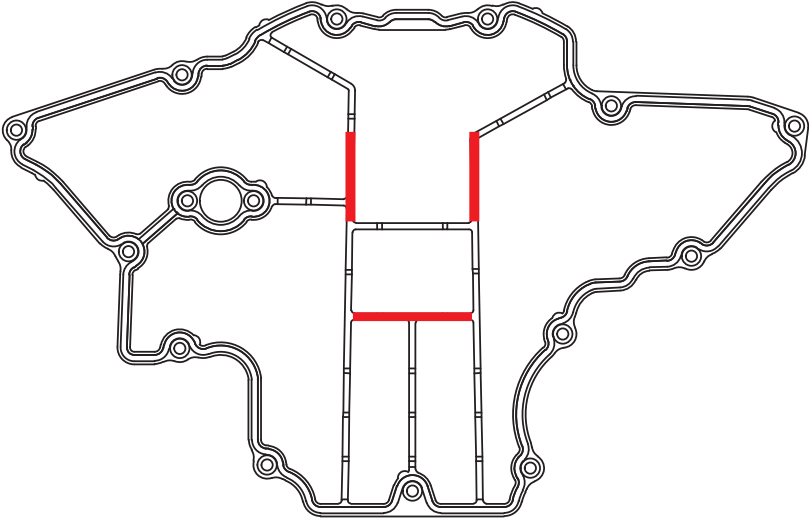
2. Drain the engine oil.
3. Refer to the instructions in the vehicle's factory service manual to remove the lower oil pan access plate, as shown in Figure 1, and set aside.



**Figure 1 - Removing the oil pan access plate**


4. Remove the oil pan access plate gasket and cut-away the sections shown in red in Figure 2.

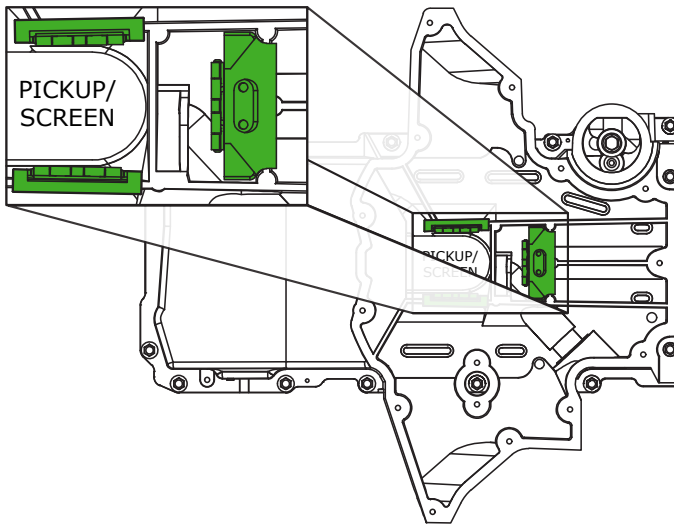
 **Tip:** It is recommended that a new gasket be used in higher mileage vehicles to ensure a proper seal.



**Figure 2 - Trimming the oil pan access plate gasket**

5. Thoroughly clean the gasket surfaces on the oil pan and access plate to remove any oil residue or sludge buildup.
6. Secure the Improved Racing trap-door inserts to the oil pan walls as shown in Figure 3 (Page 3). Ensure that the hinges swing towards the screen/pickup.

 **Important:** Make sure all of the trap doors open and close freely. *If they do not, stop and contact Improved Racing for assistance.*



**Figure 3 - Correctly installed trap-door inserts**


7. Refer to the instructions in the vehicle's factory service manual to re-install the oil pan access plate and gasket.

**💡 Important:** *Ensure that the inserts allow the access plate and gasket to fit flush.* Readjust if necessary, or contact Improved Racing for assistance.

8. Replace and tighten the drain plug to factory specifications.
9. Refill the engine oil to factory specifications.

*Congratulations!* You can now benefit from improved oil control. For best results, follow the recommendations on Page 5.

## Use and Precautions – *Please Read!*

 **Important:** NEVER let the oil level drop below the *full* mark at the race track!

This product is designed to provide superior protection against oil starvation and slosh over the stock oil pan baffle. The sources of oil starvation are varied and this product will not protect your engine from damage in all circumstances.

### **Please follow these recommendations:**

- Install an oil pressure gauge with a low-pressure alarm the driver can hear or see. This is critical for preventing catastrophic engine damage and will help determine the limits of your setup.
- We recommend overfilling the sump by ½ quart prior to track events.
- Always top off oil levels between track sessions. Do not allow the oil level to drop below the full mark.
- If oil pressure drops still occur, consider adding an oil accumulator and overfilling the sump by up to 1 quart.
- Vehicles that sustain over 1.4 lateral G's (significant aerodynamic assists and/or racing compound tires) and vehicles with high shift points should use a dry sump oiling system.

### **Exhaust smoke:**

- When racing with an overfilled sump, it is common to see white or bluish smoke exiting the exhaust system. This is caused by excess oil entering the intake through the PCV system. We recommend installing an oil catch can on the PCV line to prevent this from happening.

### **Draining the oil:**

- Run the engine for 2-3 minutes before draining the oil. This will help drain metal particles by suspending them in the oil prior to draining.
- Draining the oil with the baffle installed will take longer than usual. Allow the sump to drain for at least 10 minutes to ensure all of the oil has been removed.