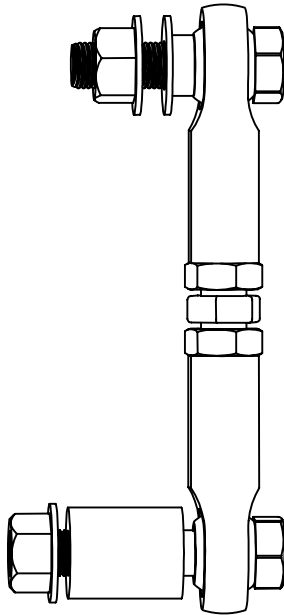




## **Sway Bar Links for Mazda MX-5 Miata (NA/NB), Front**

**Part No. SMA-105**



**Important: Read these instructions  
in their entirety prior to installation.**

For contact information, visit [www.improvedracing.com](http://www.improvedracing.com)  
Copyright © 2008-2014 Improved Racing Products, LLC. All rights reserved.

## Applications

This product is designed for the following vehicles:

- 1990-2005 Mazda MX-5 Miata

## Assembly

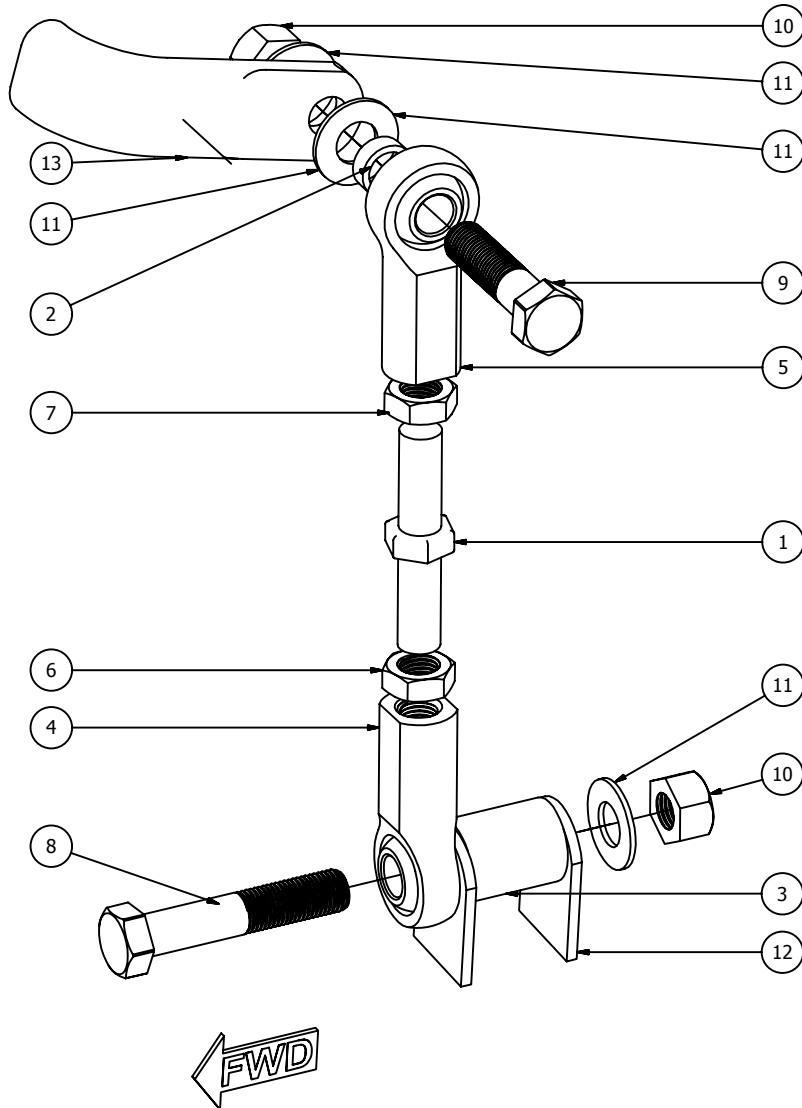


Figure 1 - Front left sway bar link assembly

SMA-105 - PARTS LIST, PER SIDE			
ITEM	QTY	PART NUMBER	DESCRIPTION
1	1	HSC-1000	Jack Screw
2	1	HSP-1001	Spacer, 3/16"
3	1	HSP-1003	Spacer, 5/16"
4	1	HRE-1004	Rod End, RH
5	1	HRE-1005	Rod End, LH
6	1	HNT-1013	Jam Nut, RH
7	1	HNT-1005	Jam Nut, LH
8	1	HSC-1006	Screw, 2"
9	1	HSC-1013	Screw, 1-1/2"
10	2	HNT-1006	Nut
11	3	HWA-1001	Washer
12			Lower Control Arm Sway Link Bracket
13			Sway Bar

**REVISION A:** Please note items #2 and #9 have been replaced with a pre-installed stud in the latest revision of this product.

## Installation Instructions

1. Lift the front of the vehicle with a lift or ramps to allow easy access to the sway bar end links. It is best if the vehicle is resting on all four wheels during installation to ensure there is no preload on the sway bar after installation.
2. Remove the existing sway bar end link from one side of the vehicle.
3. Assemble and install the sway bar end link as shown in Figure 1. Connect the link to the sway bar first, then adjust the length of the link by turning the center of the jack screw with a wrench until the lower rod end is aligned with the mounting holes in the bracket. This ensures there is no preload on the sway bar.
4. Tighten the jam nuts on the link, taking care to maintain the upper and lower rod ends at 90-degree angles to each other.
5. Torque down both mounting nuts to 27-40 lbs-ft.  
**⚠ Warning:** This torque specification is for the sway bar end links only!
6. Repeat this process on the opposite side of the vehicle.
7. Congratulations, installation is complete!

## **Lifetime Warranty**

All products manufactured by Improved Racing are covered by lifetime warranty. This means that we guarantee our products for as long as the original purchaser owns it. Proof of purchase is required.

### **Warranty covers:**

1. Manufacturing and material defects.
2. Product or material failure occurring during normal use.

### **Warranty does not cover:**

1. Any damage to the product, unless caused by a manufacturing or material defect.
2. Any failure or damage due to normal wear and tear.
3. Products modified in any way.
4. Products which have been discontinued for longer than 1 year and for which no replacement is available.
5. Products sold, but not manufactured, by Improved Racing. For assistance with these products, please refer to the original manufacturer's warranty.

To file a claim, visit [www.improvedracing.com](http://www.improvedracing.com) and use the Contact Form. Once a claim is filed, product will be either repaired or replaced by the manufacturer. Product must be shipped at customer's expense.

## **Returns**

We offer a 30-day money-back guarantee. If you are unsatisfied with our product for any reason, you may return it within 30 days of purchase for a full refund. Returns must be pre-approved. Damaged items are not returnable, unless the product exhibits a manufacturer's defect or is damaged during shipping. To request a return, please visit our contact page on our website at <http://www.improvedracing.com>. Shipping costs are non-refundable and returned items must be shipped at customer's expense.

## **Legal Notice and Terms of Sale**

- The term "this product", as used throughout this document, refers to the product listed on the cover page of this manual.
- This product is intended for off-road use only and does not necessarily meet required federal regulations for road-going vehicles.
- While care was taken in the design and development of this product, racing is a dangerous activity and the purchaser assumes all risk and liability associated with the use of this product. These risks include but are not limited to damage, loss, injury and/or death.
- Improved Racing and its owner(s) are not liable for any losses or damages of any kind incurred while using this product.
- By purchasing this product, the purchaser agrees to the terms of this agreement.