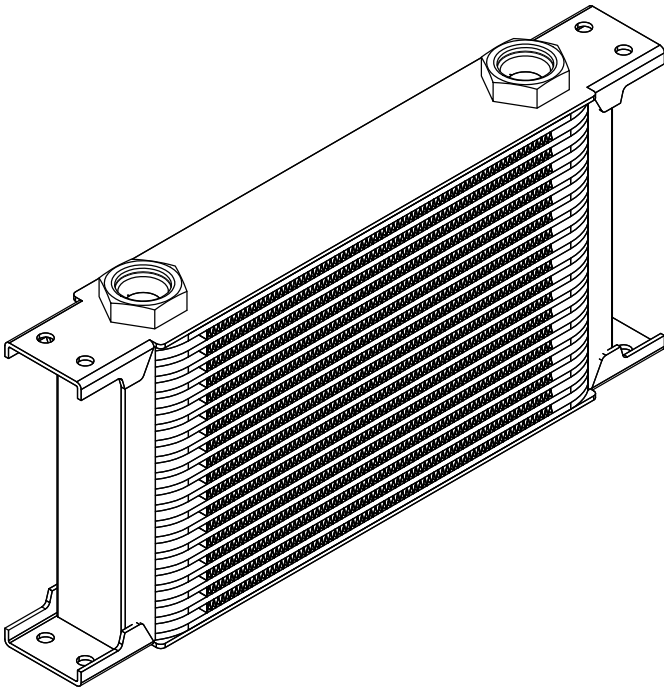




FHX 200 Series Oil Cooler



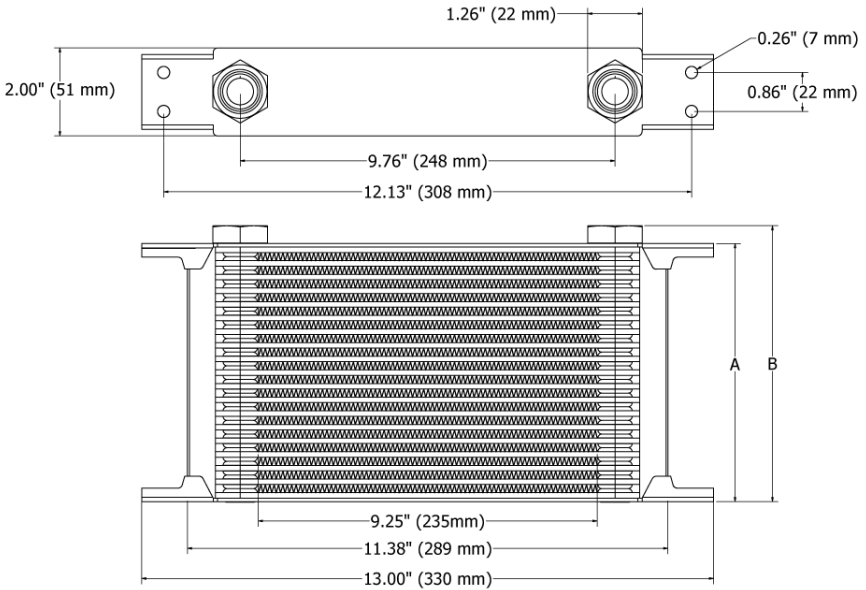
**Important: Read these instructions
in their entirety prior to installation.**

For contact information, visit www.improvedracing.com
Copyright © 2008-2015 Improved Racing Products, LLC. All rights reserved.

Technical Specifications

Construction	Brazed Aluminum
Finish	Black Powder Coat
Test Pressure	174 psi (1172 KPa)
Max Cont. Operating Pressure	150 psi (1034 KPa)
Max Fitting Torque	32 lb-ft (43 N-m)
Fitting Ports	-10AN SAE J1926-1 / MS16142 O-ring boss

Dimensions



Part No.	Rows	A	B
FHX-216	16	4.86" (124 mm)	5.28" (134 mm)
FHX-219	19	5.78" (147 mm)	6.18" (157 mm)
FHX-225	25	7.63" (194 mm)	8.03" (204 mm)

Installation Guidelines

Selecting an installation location:

- The cooler may be installed in any orientation (fittings exiting the top, bottom, or side). Depending on the mounting orientation, the fluid in the cooler may drain when the vehicle is parked over an extended period of time. A check valve may be used on the feed line to prevent this from happening.
- Install the cooler in a location where it will receive maximum direct airflow **or** use a shrouded cooling fan.



The cooler must be attached to flexible mounting points with rubber isolators to protect it from excessive vibration and allow for thermal expansion. Coolers with more than 16 rows should be secured by brackets on both ends of the cooler. **Failure to do so may result in leaks and will void the warranty.**

Connecting the oil lines:

- Use **only** Improved Racing and RaceFlux brand O-ring boss adapter fittings with the FHX series coolers. Other brand fittings will damage the cooler and void the warranty. The following adapter fitting part numbers are approved for use with FHX series coolers: OM-10-06, OM-10-08, OM-10-10, OM-10-12, OB-10-06
- Fill the cooler with oil before connecting the lines to prevent a dry first start.
- Ensure the oil lines are properly routed to prevent damage:
 - a. Avoid contact with sharp or abrasive objects that may sever or damage the line.
 - b. Avoid close proximity to high temperature heat sources such as exhaust systems or turbochargers. Lines near heat sources should be insulated with a protective heat sleeve.
 - c. Use hose clamps to secure lines in the preferred routing path with some slack to accommodate for minor movement.



Support the cooler while tightening the fittings. The maximum fitting torque is 32 lb-ft (43 N-m). **Overtightening may result in leaks and will void the warranty.**

Before starting the engine:

- It is recommended that the fuel pump fuse be removed and the engine be cranked over for several seconds to prime the oil lines with oil before starting the engine. This will prevent excessive engine wear during initial start up. Use caution not to overheat the starter or drain the battery.

Lifetime Warranty

All products manufactured by Improved Racing are covered by lifetime warranty. This means that we guarantee our products for as long as the original purchaser owns it. Proof of purchase is required.

Warranty covers:

1. Manufacturing and material defects.
2. Product or material failure occurring during normal use.

Warranty does not cover:

1. Any damage to the product, unless caused by a manufacturing or material defect.
2. Any failure or damage due to normal wear and tear as determined by the manufacturer.
3. Products modified in any way.
4. Products which have been discontinued for longer than 1 year and for which no replacement is available.
5. Products sold, but not manufactured, by Improved Racing. For assistance with these products, please refer to the original manufacturer's warranty.

To file a claim, visit www.improvedracing.com and use the Contact Form. Once a claim is filed, product will be either repaired or replaced by the manufacturer. Product must be shipped at customer's expense.

Returns

We offer a 30-day money-back guarantee on all products we sell except GM factory parts (unless defective or damaged during shipping). If you are unsatisfied with one of our products for any reason, you may return it for a full refund within 30-days.

All returns must be pre-authorized. Returned products must be shipped at customer's expense. Shipping costs are non-refundable. Products that have been modified, damaged, or otherwise rendered unsellable by the customer cannot be returned, unless they present manufacturing defects or were damaged during shipping.

Legal Notice and Terms of Sale

- The term "this product", as used throughout this document, refers to the product listed on the cover page of this manual.
- This product is intended for off-road use only and does not necessarily meet required federal regulations for road-going vehicles.
- While care was taken in the design and development of this product, racing is a dangerous activity and the purchaser assumes all risk and liability associated with the use of this product. These risks include but are not limited to damage, loss, injury and/or death.
- Improved Racing and its owner(s) are not liable for any losses or damages of any kind incurred while using this product.
- By purchasing this product, the purchaser agrees to the terms of this agreement.