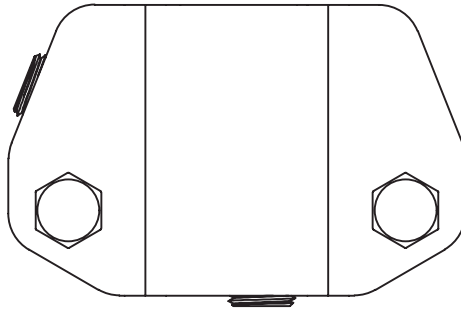




**Oil Sensor & Turbo Feed  
Adapter for C5 Corvette  
Part No. EGM-119**

Made in USA



**Important: Read these instructions  
in their entirety prior to installation.**

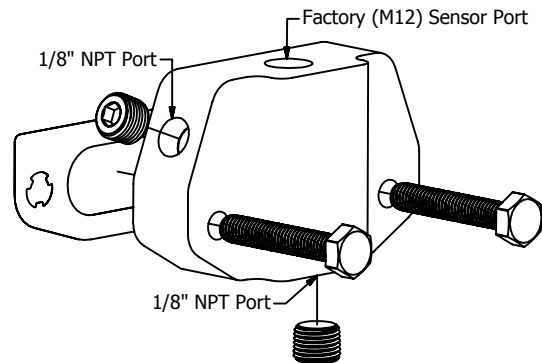
For contact information, visit [www.improvedracing.com](http://www.improvedracing.com)  
Copyright © 2008-2013 Improved Racing Products, LLC. All rights reserved.

## Applications

- 1997-2004 Chevrolet Corvette, including Z06 models
- GM LS-series engine vehicles requiring a M12 x 1.5mm sensor port

## Parts List

- Adapter (1)
- Gasket (1)
- 1/8" NPT port plugs, 5mm Allen (2)
- Retaining bolts (2)



## Installation Instructions

### Preparing for Installation

1. Raise the front of the vehicle with approved automotive ramps, a lift, or jack stands.  
**⚠ Warning:** Never work under a vehicle secured only by a jack.
2. Position an oil drain pan under the oil pan as a small amount of oil will drain out.
3. Remove the two (2) 10mm oil port cover retaining bolts and oil port cover. Be sure to remove the factory gasket as well.  
**⚠ Caution:** Oil may be hot.
4. Inspect the factory oil temperature sensor crush washer to ensure it will not leak after installation. Install the sensor in the top (M12 x 1.5mm) port of the adapter but do not overtighten.
5. Wrap any additional sensors or turbo feed line fitting in Teflon tape and install in the adapter but do not over-tighten. Where no sensors are used, wrap the provided 1/8" NPT plugs in Teflon tape and tighten with a 5mm Allen key wrench.  
**⚠ Important:** Make sure the oil sensor does not bottom out in the adapter, as this may result damage to the sensor or cause a leak.

### Installing the Adapter

1. Orient the gasket as shown in Figure 1.

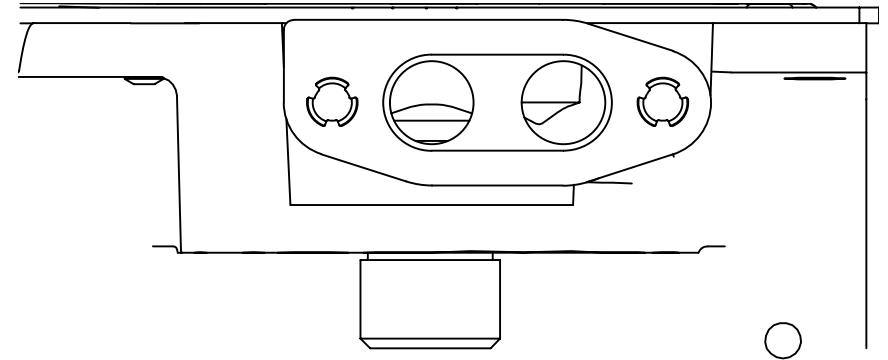


Figure 1 - Correct gasket orientation

2. Secure the adapter to the oil pan with the retaining bolts provided as shown in Figure 2. Do not over-tighten.

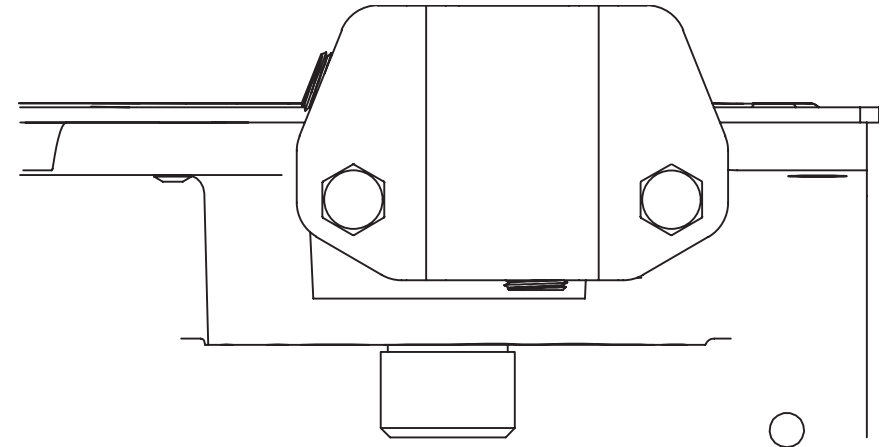


Figure 2 - Adapter secured to pan

3. Check and top off the engine's oil level.
4. Start the engine and check for leaks.
5. Congratulations! Installation is now complete.

## **Lifetime Warranty**

All products manufactured by Improved Racing are covered by lifetime warranty. This means that we guarantee our products for as long as the original purchaser owns it. Proof of purchase is required.

### **Warranty covers:**

1. Manufacturing and material defects.
2. Product or material failure occurring during normal use.

### **Warranty does not cover:**

1. Any damage to the product, unless caused by a manufacturing or material defect.
2. Any failure or damage due to normal wear and tear.
3. Products modified in any way.
4. Products which have been discontinued for longer than 1 year and for which no replacement is available.
5. Products sold, but not manufactured, by Improved Racing. For assistance with these products, please refer to the original manufacturer's warranty.

To file a claim, visit [www.improvedracing.com](http://www.improvedracing.com) and use the Contact Form. Once a claim is filed, product will be either repaired or replaced by the manufacturer. Product must be shipped at customer's expense.

## **Returns**

We offer a 30-day money-back guarantee. If you are unsatisfied with our product for any reason, you may return it within 30 days of purchase for a full refund. Returns must be pre-approved. Damaged items are not returnable, unless the product exhibits a manufacturer's defect or is damaged during shipping. To request a return, please visit our contact page on our website at <http://www.improvedracing.com>. Shipping costs are non-refundable and returned items must be shipped at customer's expense.

## **Legal Notice and Terms of Sale**

- The term "this product", as used throughout this document, refers to the product listed on the cover page of this manual.
- This product is intended for off-road use only and does not necessarily meet required federal regulations for road-going vehicles.
- While care was taken in the design and development of this product, racing is a dangerous activity and the purchaser assumes all risk and liability associated with the use of this product. These risks include but are not limited to damage, loss, injury and/or death.
- Improved Racing and its owner(s) are not liable for any losses or damages of any kind incurred while using this product.
- By purchasing this product, the purchaser agrees to the terms of this agreement.